

Note: The information above is for reference only.

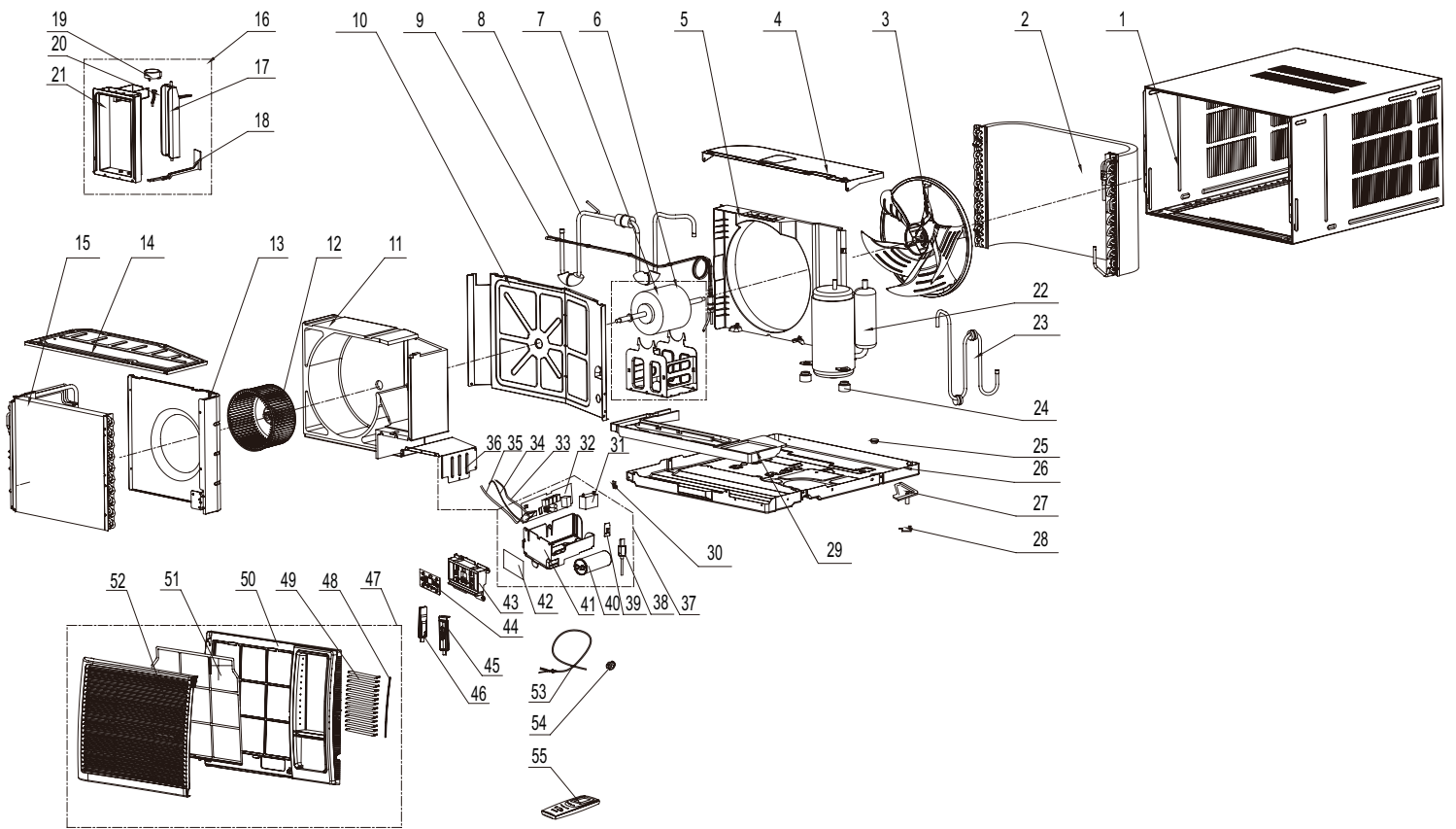
NO.	Description	Part Code			Qty
		GJC18AE-K6NRNR1A	GJC18AE-K6NRNG1A	GJC21AE-K6NRNR1A	
	Product code	CC053011400	CC053034400	CC053008100	
1	Cabinet Assy	000006000025	00000600002502	000006000025	1
2	Condenser Assy	01100206017202	01100206017202	01100206017201	1
3	Axial Flow Fan	10331163	10331163	10331163	1
4	Rear Cover Plate	20121096	20121096	20121096	1
5	Rear Clapboard	20051019	20051019	20051019	1
6	Motor Assy	000294000007	000294000007	000294000007	1
7	Fan Motor	15011053	15011053	15011053	1
8	Inhalation Tube Sub-assy	030010060793	030010060793	030010060744	1
9	Capillary Sub-assy	030006060648	030006060648	030006060615	1
10	Front Clapboard Sub-Assy	01301021	01301021	01301021	1
11	Foam(Propeller Housing)	12311654	12311654	12311654	1
12	Centrifugal fan	10311501	10311501	10311602	1
13	Front Clapboard of Propeller housing	0123115703	0123115703	0123115703	1
14	Front cover sub-assy	01251030	011657060117	01251030	1
15	Evaporator Assy	01100100312	01100100312	011001000220	1
16	Air Outlet Sub-Assy	20001730	20001730	20001730	1
17	Air Louver	10511041	10511041	10511041	1
18	Air Door Lever Sub-assy	10581154	10581154	10581154	1
19	Stepping Motor	1521211601	1521211601	1521211601	1
20	Crank	73011006	73011006	73011006	1
21	Air door support	24211039	24211039	24211039	1
22	Compressor and fittings	009001060399	009001060399	009001060229	1
23	Discharge Tube	035008061485	035008061485	035008061485	1
24	Compressor Gasket KGM 905	009012000004	009012000004	76713081	3
25	Drainage hole cap	76711012	76711012	76711012	1
26	Chassis Sub-assy	0120122420P	0120122420P	0120122418P	1
27	Drainage Box	2018180101	2018180102	2018180101	1
28	Cabinet Fastener	26251601	26251601	26251601	1
29	Water Tray Sub-Assy	000070000003	000070000003	000070000003	1
30	Chassis clamp	01211601	01211601	01211601	1
31	Capacitor	3301074708	3301074708	3301074708	1
32	Main Board	300002060980	300002060980	300002060980	1
33	Temperature Sensor	390000451	390000451	390000451	1
34	Temperature Sensor	390000596	390000596	390000596	1
35	Tube sensor	3900012119	3900012141	3900012119	1
36	Base Plate	01361019	01361019	01361019	1
37	Electric Box Assy	100002066877	100002066877	100002066877	1
38	Detection board	300018000002	300018000002	300018000002	1
39	Capacitor	3300008103	3300008103	3300008103	1
40	Electric Box (Remote Control)	2011113901	2011113901	2011113901	1
41	Display Board	26111038	30562019	26111038	1
42	LCD Board(Remote Control)	2012131801	200032060006	2012131801	1
43	Membrane	22431132	600006060219	22431132	1
44	Support WIFI	200114060043	200114060043	200114060043	1
45	Front Panel Assy	000003000256	00000306032101	000003000256	1
46	Guide Blade	1051160210	200214060004	1051160210	14
47	Guide Blade Lever	10581604	200235060012	10581604	1
48	Front Case	2000160103	200002060051	2000160103	1
49	Filter Sub-Assy	11121601	111001060179	11121601	1
50	Front Panel	20006400001601S	200064060031S	20006400001601S	1
51	Power Cord	40020491	40020491	40020491	1
52	Sleeving	4203240201	4203240201	4203240201	1
53	Remote Controller	305001000097	305001000097	305001000097	1

Above data is subject to change without notice.

NO.	Description	Part Code			Qty
		GJC18AE-K6NRNB3A	GJC21AE-K6NRNB3A	GJC21AE-K6NRNG1A	
	Product code	CC053025300	CC053025800	CC053030000	
1	Cabinet Assy	000006000025	000006000025	000006000025	1
2	Condenser Assy	01100206017202	01100206017201	01100206017201	1
3	Axial Flow Fan	10331163	10331163	10331163	1
4	Rear Cover Plate	20121096	20121096	20121096	1
5	Rear Clapboard	20051019	20051019	20051019	1
6	Motor Assy	000294000007	000294000007	000294000007	1
7	Fan Motor	15011053	15011053	15011053	1
8	Inhalation Tube Sub-assy	030010060793	030010060744	030010060744	1
9	Capillary Sub-assy	030006060648	030006060615	030006060615	1
10	Front Clapboard Sub-Assy	01301021	01301021	01301021	1
11	Foam(Propeller Housing)	12311654	12311654	12311654	1
12	Centrifugal fan	10311501	10311602	10311602	1
13	Front Clapboard of Propeller housing	0123115703	0123115703	0123115703	1
14	Front cover sub-assy	011657060117	01251030	01251030	1
15	Evaporator Assy	01100100312	011001000220	011001000220	1
16	Air Outlet Sub-Assy	20001730	20001730	20001730	1
17	Air Louver	10511041	10511041	10511041	1
18	Air Door Lever Sub-assy	10581154	10581154	10581154	1
19	Stepping Motor	1521211601	1521211601	1521211601	1
20	Crank	73011006	73011006	73011006	1
21	Air door support	24211039	24211039	24211039	1
22	Compressor and fittings	009001060399	009001060229	009001060229	1
23	Discharge Tube	035008061485	035008061485	035008061485	1
24	Compressor Gasket KGM 905	009012000004	76713081	76713081	3
25	Drainage hole cap	76711012	76711012	76711012	1
26	Chassis Sub-assy	0120122420P	0120122418P	0120122418P	1
27	Drainage Box	2018180101	2018180101	2018180101	1
28	Cabinet Fastener	26251601	26251601	26251601	1
29	Water Tray Sub-Assy	000070000003	000070000003	000070000003	1
30	Chassis clamp	01211601	01211601	01211601	1
31	Capacitor	3301074708	3301074708	3301074708	1
32	Main Board	300002060980	300002060980	300002060980	1
33	Temperature Sensor	390000451	390000451	390000451	1
34	Temperature Sensor	390000596	390000596	390000596	1
35	Tube sensor	3900012119	3900012119	3900012119	1
36	Base Plate	01361019	01361019	01361019	1
37	Electric Box Assy	100002066877	100002066877	100002066877	1
38	Detection board	300018000002	300018000002	300018000002	1
39	Capacitor	3300008103	3300008103	3300008103	1
40	Electric Box (Remote Control)	2011113901	2011113901	2011113901	1
41	Display Board	26111038	26111038	26111038	1
42	LCD Board(Remote Control)	2012131801	2012131801	200032060006	1
43	Membrane	22431132	22431132	600006060219	1
44	Support WIFI	200114060043	200114060043	200114060043	1
45	Front Panel Assy	00000300021601	00000300021601	00000306032101	1
46	Guide Blade	1051160210	1051160210	200214060004	14/14/10
47	Guide Blade Lever	10581604	10581604	200235060012	1
48	Front Case	2000160103	2000160103	200002060051	1
49	Filter Sub-Assy	11121601	11121601	111001060179	1
50	Front Panel	2000160601S	2000160601S	200064060031S	1
51	Power Cord	40020491	40020491	40020491	1
52	Sleeving	4203240201	4203240201	4203240201	1
53	Remote Controller	305001000097	305001000097	305001000097	1

Above data is subject to change without notice.

GJC18AE-K6NRNR1B GJC21AE-K6NRNR1B

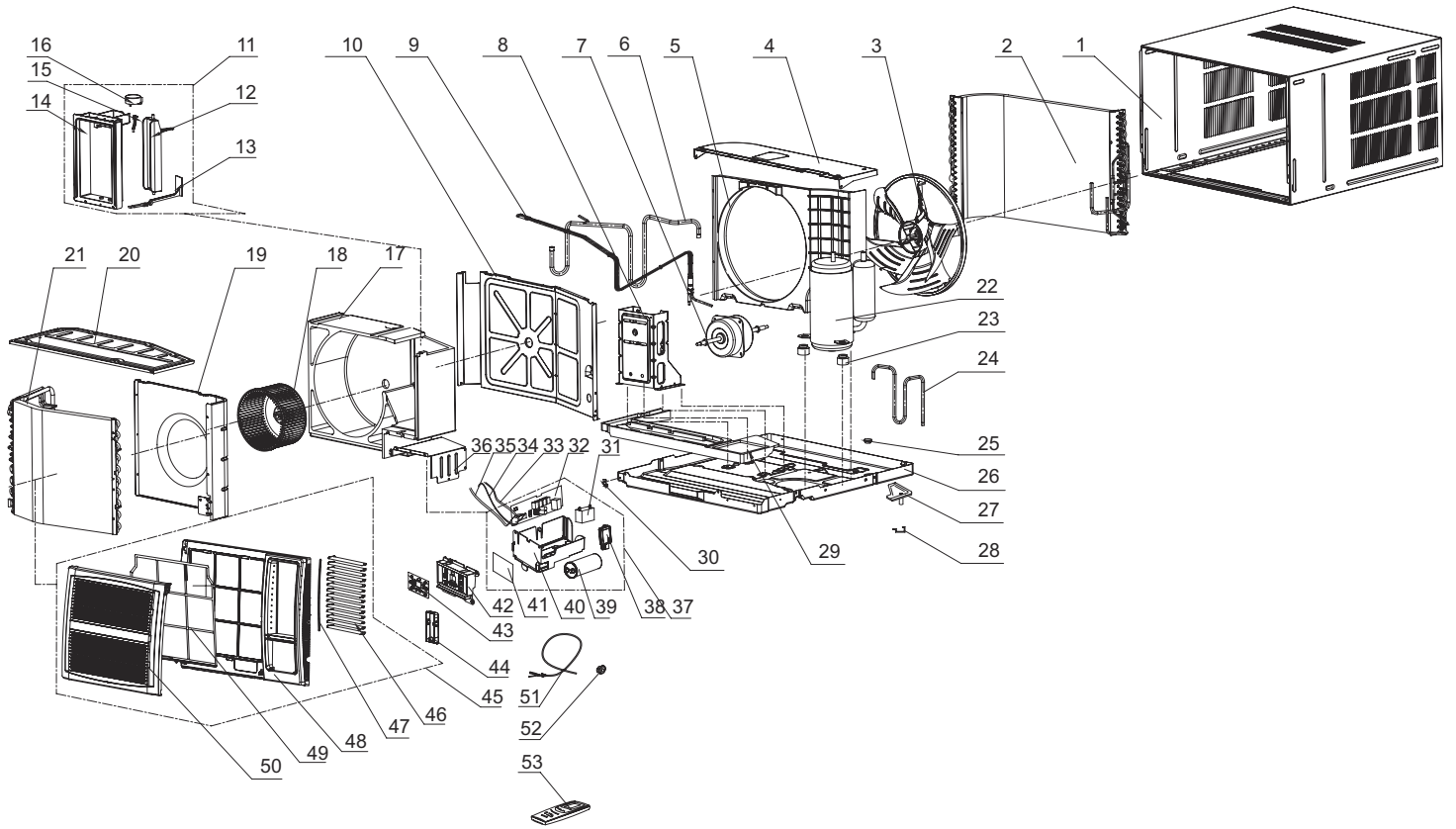


The component picture is only for reference please refer to the actual product.
 Panel outlook picture, just for reference, please take the real unit as standard.

NO.	Description	Part Code		Qty
		GJC18AE-K6NRNR1B	GJC21AE-K6NRNR1B	
	Product code	CC053016700	CC053016200	
1	Cabinet Assy	000006000025	000006000025	1
2	Condenser Assy	01100206017202	01100206017201	1
3	Axial Flow Fan	10331163	10331163	1
4	Rear Cover Plate	20121096	20121096	1
5	Rear Clapboard	20051019	20051019	1
6	Motor Assy	000294000007	000294000007	1
7	Fan Motor	15011053	15011053	1
8	Inhalation Tube Sub-assy	030010060793	030010060744	1
9	Capillary Sub-assy	030006060648	030006060615	1
10	Front Clapboard Sub-Assy	01301021	01301021	1
11	Foam(Propeller Housing)	12311654	12311654	1
12	Centrifugal fan	10311501	10311602	1
13	Front Clapboard of Propeller housing	0123115703	0123115703	1
14	Front cover sub-assy	01251030	01251030	1
15	Evaporator Assy	01100100312	011001000220	1
16	Air Outlet Sub-Assy	20001730	20001730	1
17	Air Louver	10511041	10511041	1
18	Air Door Lever Sub-assy	10581154	10581154	1
19	SteppingMotor	1521211601	1521211601	1
20	Crank	73011006	73011006	1
21	Air door support	24211039	24211039	1
22	Compressor and fittings	009001060399	009001060229	1
23	Discharge Tube	035008061485	035008061485	1
24	Compressor Gasket KGM 905	009012000004	76713081	3
25	Drainage hole cap	76711012	76711012	1
26	Chassis Sub-assy	0120122420P	0120122418P	1
27	Drainage Box	2018180101	2018180101	1
28	Cabinet Fastener	26251601	26251601	1
29	Water Tray Sub-Assy	00007000003	00007000003	1
30	Chassis clamp	01211601	01211601	1
31	Capacitor	3301074708	3301074708	1
32	Main Board	300002061230	300002061230	1
33	Temperature Sensor	390000451	390000451	1
34	Temperature Sensor	390000596	390000596	1
35	Tube sensor	'3900012119	'3900012119	1
36	Base Plate	01361019	01361019	1
37	Electric Box Assy	100002068367	100002068367	1
38	Data line	410200060017	410200060017	1
39	WIFI module	300030060030	300030060030	1
40	Capacitor	3300008103	3300008103	1
41	Electric Box (Remote Control)	2011113901	2011113901	1
42	Display Board	26111038	26111038	1
43	LCD Board(Remote Control)	2012131801	2012131801	1
44	Membrane	22431132	22431132	1
45	Mounting box	200177060051	200177060051	1
46	Installing the lid	200174060020	200174060020	1
47	Front Panel Assy	000003000256	000003000256	1
48	Guide Blade	1051160210	1051160210	14
49	Guide Blade Lever	10581604	10581604	1
50	Front Case	2000160103	2000160103	1
51	Filter Sub-Assy	11121601	11121601	1
52	Front Panel	20006400001601S	20006400001601S	1
53	Power Cord	40020491	400204911	1
54	Sleeving	4203240201	4203240201	1
55	Remote Controller	305001060076	305001060076	1

Above data is subject to change without notice.

GJC12AG-K6NRNR1A GJC12AG-K6NRNB3A

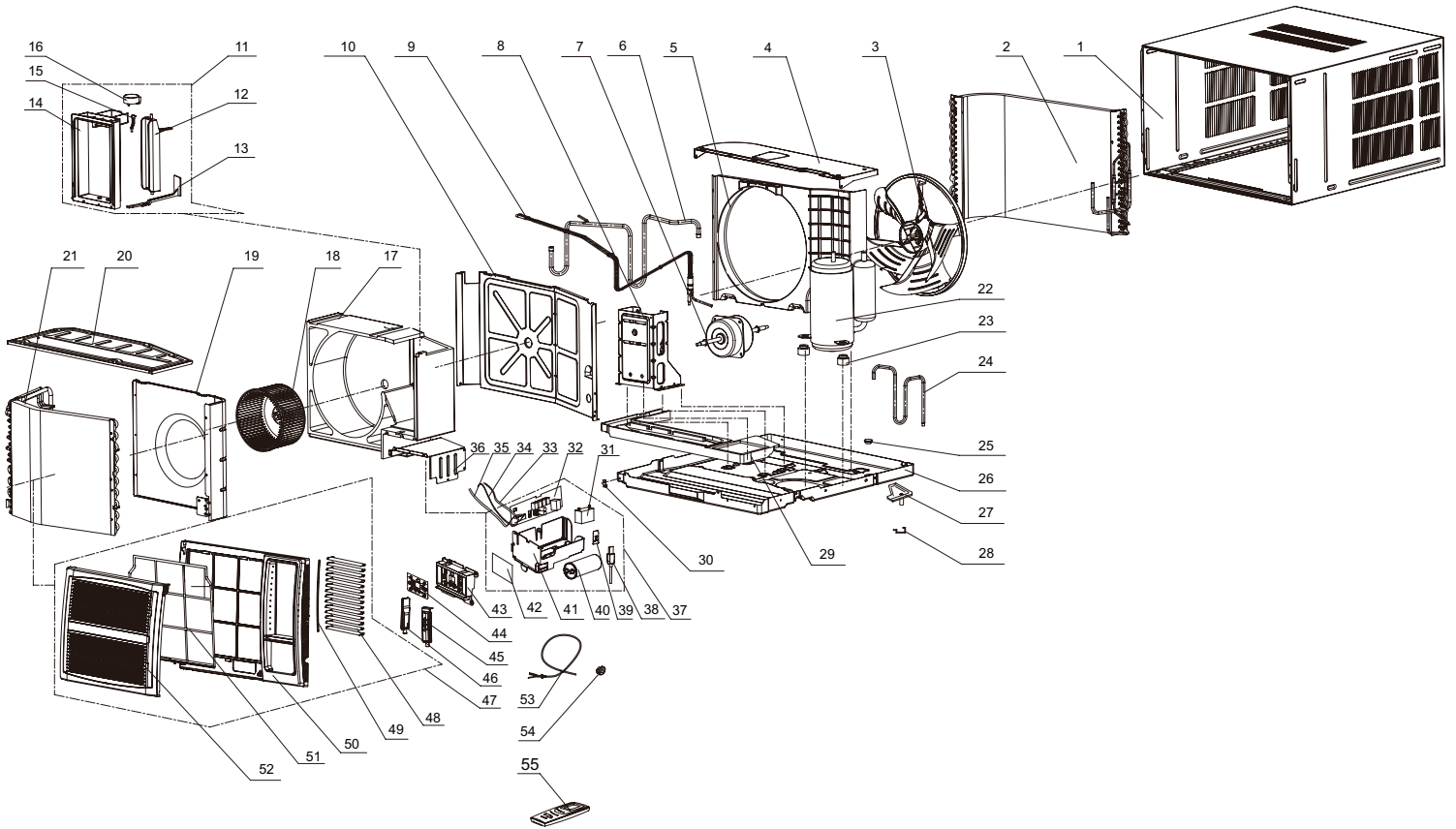


The component picture is only for reference please refer to the actual product.
 Panel outlook picture, just for reference, please take the real unit as standard.

NO.	Description	Part Code			Qty
		GJC12AG-K6NRNR1A	GJC12AG-K6NRNB3A	GJC12AG-K6NRNG1A	
	Product code	CC053008000	CC053025500	CC053034300	
1	Cabinet Assy	000006000021	000006000021	000006000021	1
2	Condenser Assy	01100206055001	01100206055001	01100206055001	1
3	Axial Flow Fan	103002060004	103002060004	103002060004	1
4	Rear Cover Plate	22241017	22241017	22241017	1
5	Rear Clapboard	20051024	20051024	20051024	1
6	Inhalation Tube Sub-assy	030010060743	030010060743	030010060743	1
7	Fan Motor	15011061	15011061	15011061	1
8	Motor Support	01701032	01701032	01701032	1
9	Capillary Sub-assy	030006060614	030006060614	030006060614	1
10	Front Clapboard Sub-Assy	01301021	01301021	01301021	1
11	Air Outlet Sub-Assy	20001730	20001730	20001730	1
12	Air Louver	10511041	10511041	10511041	1
13	Air Door Lever Sub-assy	10581154	10581154	10581154	1
14	Air door support	24211039	24211039	24211039	1
15	Crank	73011006	73011006	73011006	1
16	Stepping Motor	1521211601	1521211601	1521211601	1
17	Foam(Propeller Housing)	12311654	12311654	12311654	1
18	Centrifugal Fan	10311208	10311208	10311208	1
19	Front Clapboard of Propeller Housing	01231157	01231157	01231157	1
20	Front cover sub-assy	01251030	011657060117	011657060117	1
21	Evaporator Assy	01100100312	01100100312	01100100312	1
22	Compressor and Fittings	009001060361	009001060361	009001060361	1
23	Compressor Gasket	009012000022	009012000022	009012000022	3
24	Discharge Tube	035008061487	035008061487	035008061487	1
25	Drainage hole Cap	76711012	76711012	76711012	1
26	Chassis Sub-assy	0120111209P	0120111209P	0120111209P	1
27	Drainage Box	2018180101	2018180101	2018180102	1
28	Cabinet Fastener	26251601	26251601	26251601	1
29	Water Tray Sub-Assy	12311640	12311640	12311640	1
30	Chassis Clamp	01211601	01211601	01211601	1
31	Capacitor	3301074714	3301074714	3301074714	1
32	Main Board	300002060978	300002060978	300002060978	1
33	Temperature Sensor	390000451	390000451	390000451	1
34	Temperature Sensor	390000596	390000596	390000596	1
35	Tube sensor	3900012119	3900012119	390001060014	1
36	Base Plate	01361019	01361019	01361019	1
37	Electric Box Assy	100002066876	100002066876	100002066876	1
38	Detection board	300018000002	300018000002	300018000002	1
39	Capacitor	3300008102	3300008102	3300008102	1
40	Electric Box (Remote Control)	2011113901	2011113901	2011113901	1
41	Display Board	30562019	30562019	30562019	1
42	LCD Board(Remote Control)	2012131801	2012131801	200032060006	1
43	Membrane	22431132	22431132	600006060219	1
44	Support WIFI	200114060043	200114060043	200114060043	1
45	Front Panel Assy	000003000256	00000300021601	00000306032101	1
46	Guide Blade	1051160210	1051160210	200214060004	14
47	Guide Blade Lever	10581604	10581604	200235060012	1
48	Front Case	2000160103	2000160103	200002060051	1
49	Filter Sub-Assy	11121601	11121601	111001060179	1
50	Front Panel 2	20006400001601S	2000160601S	200064060031S	1
51	Power Cord	40020491	40020491	40020491	1
52	Sleeving	4203240201	4203240201	4203240201	1
53	Remote Controller	305001000097	305001000097	305001000097	1

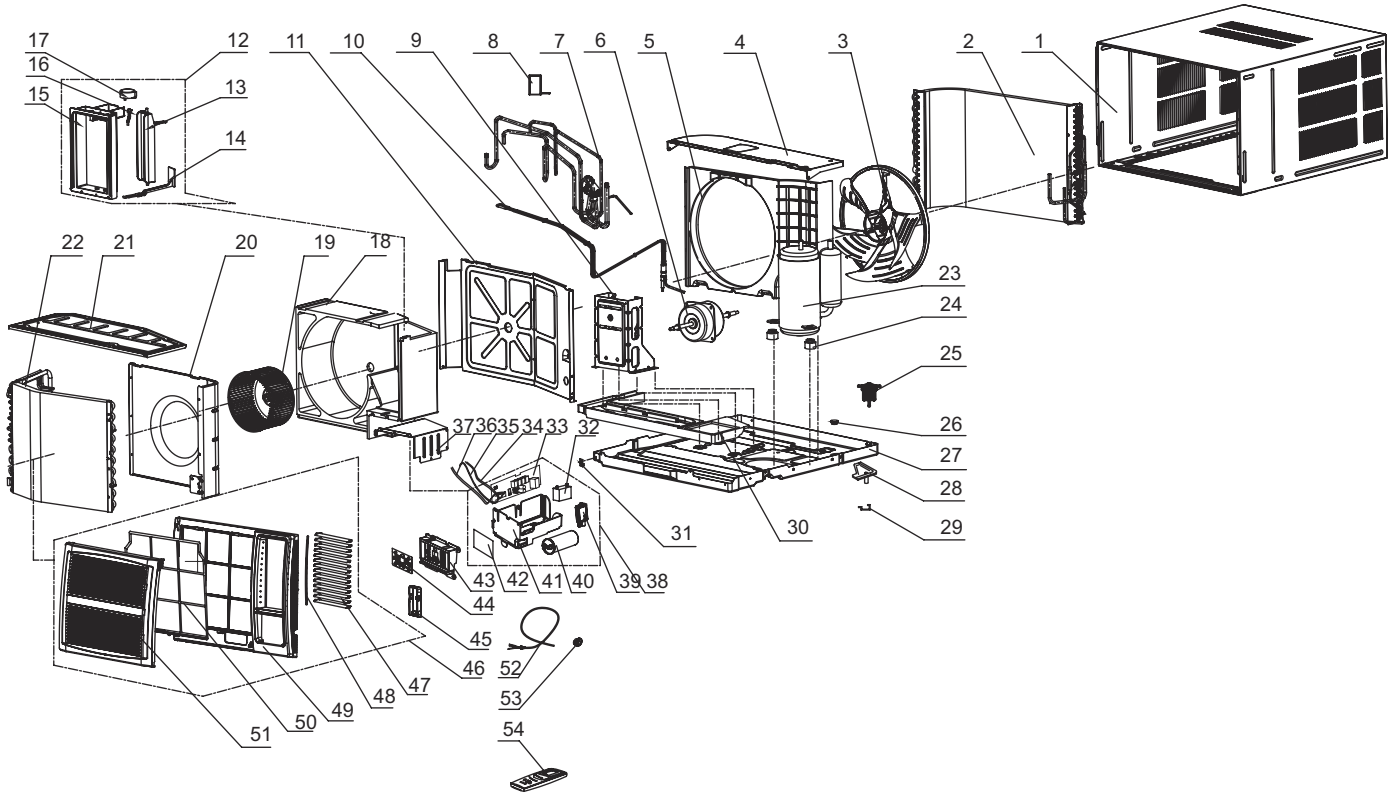
Above data is subject to change without notice.

GJC12AG-K6NRNR1B



The component picture is only for reference please refer to the actual product.
 Panel outlook picture, just for reference, please take the real unit as standard.

GJH12AG-K6NRNR1A GJH12AG-K6NRNB3A GJH12AG-K6NRNB9A GJH12AG-K6NRNG1A



The component picture is only for reference please refer to the actual product.
 Panel outlook picture, just for reference, please take the real unit as standard.

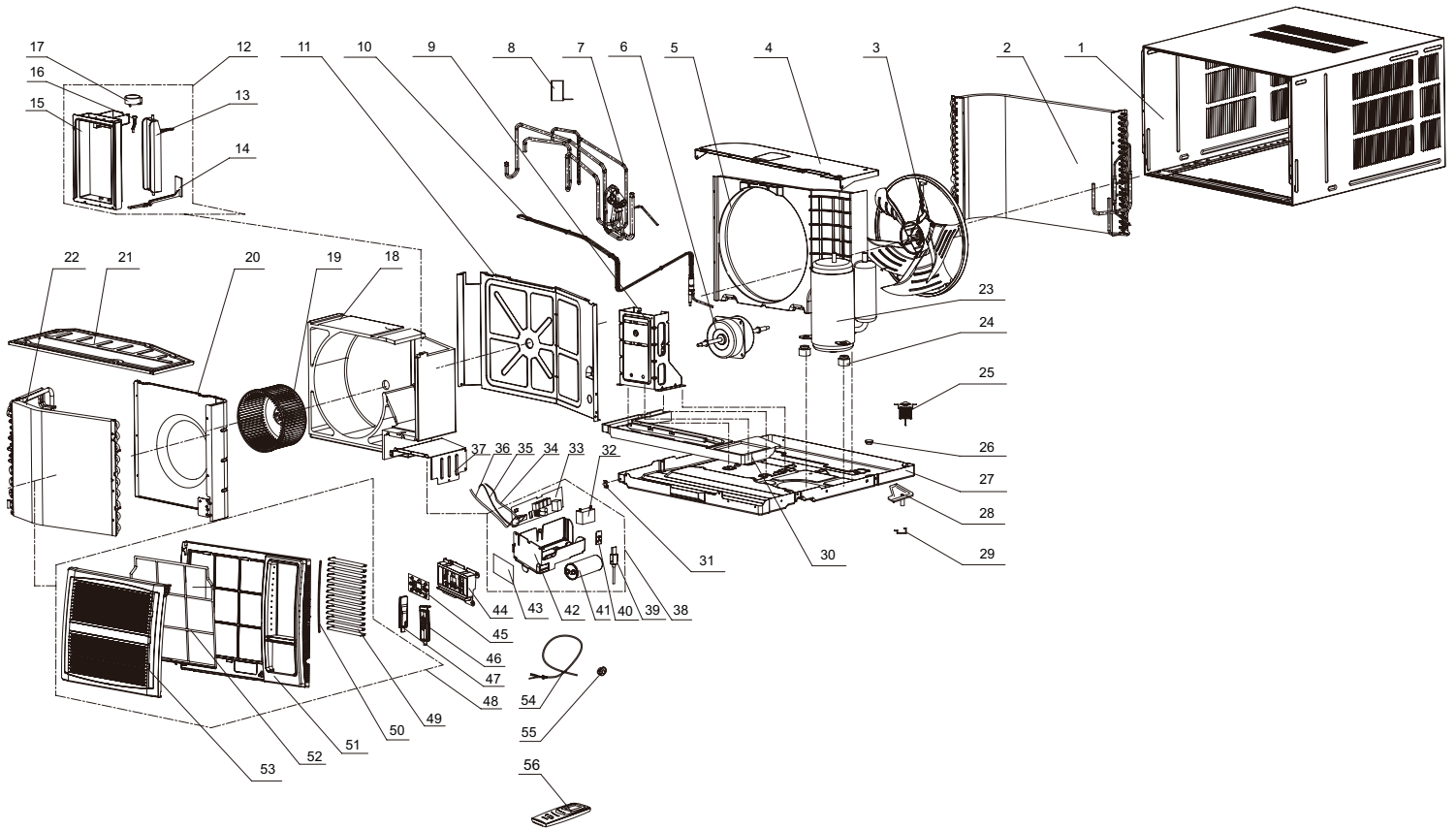
NO.	Description	Part Code		Qty
		GJH12AG-K6NRNR1A	GJH12AG-K6NRNB3A	
	Product code	CC053010700	CC053026000	
1	Cabinet Assy	000006000021	000006000021	1
2	Condenser Assy	011002060936	011002060936	1
3	Axial Flow Fan	103002060004	103002060004	1
4	Rear Cover Plate	22241017	22241017	1
5	Rear Clapboard	20051024	20051024	1
6	Fan Motor	15011061	15011061	1
7	4-Way Valve Assy	030152060402	030152060402	1
8	Magnet Coil	430004017	430004017	1
9	Motor Support	01701032	01701032	1
10	Capillary Sub-assy	030006060673	030006060673	1
11	Front Clapboard Sub-Assy	01301021	01301021	1
12	Air Outlet Sub-Assy	20001730	20001730	1
13	Air Louver	10511041	10511041	1
14	Air Door Lever Sub-assy	10581154	10581154	1
15	Air door support	24211039	24211039	1
16	Crank	73011006	73011006	1
17	Stepping Motor	1521211601	1521211601	1
18	Foam(Propeller Housing)	12311654	12311654	1
19	Centrifugal Fan	10311208	10311208	1
20	Front Clapboard of Propeller Housing	01231157	01231157	1
21	Front cover sub-assy	011657060117	011657060117	1
22	Evaporator Assy	011001061014	011001061014	1
23	Compressor and Fittings	009001060361	009001060361	1
24	Compressor Gasket	009012000022	009012000022	3
25	Drainage Valve	07101001	07101001	1
26	Drainage hole Cap	76711012	76711012	1
27	Chassis Sub-assy	0120111210P	0120111210P	1
28	Drainage Box	2018180101	2018180101	1
29	Cabinet Fastener	26251601	26251601	1
30	Water Tray Sub-Assy	12311640	12311640	1
31	Chassis Clamp	01211601	01211601	1
32	Capacitor	3301074714	3301074714	1
33	Main Board	300002060977	300002060977	1
34	Temperature Sensor	390000451	390000451	1
35	Temperature Sensor	390000596	390000596	1
36	Tube sensor	3900012119	3900012119	1
37	Base Plate	01361019	01361019	1
38	Electric Box Assy	100002067556	100002067556	1
39	Detection board	300018000002	300018000002	1
40	Capacitor	3300008102	3300008102	1
41	Electric Box (Remote Control)	2011113901	2011113901	1
42	Display Board	30562019	30562019	1
43	LCD Board(Remote Control)	2012131801	2012131801	1
44	Membrane	2243113201	2243113201	1
45	Support WIFI	200114060043	200114060043	1
46	Front Panel Assy	000003000256	00000300021601	1
47	Guide Blade	1051160210	1051160210	14
48	Guide Blade Lever	10581604	10581604	1
49	Front Case	2000160103	2000160103	1
50	Filter Sub-Assy	11121601	11121601	1
51	Front Panel 2	20006400001601S	2000160601S	1
52	Power Cord	40020491	40020491	1
53	Sleeving	4203240201	4203240201	1
54	Remote Controller	305001000097	305001000097	1

Above data is subject to change without notice.

NO.	Description	Part Code		Qty
		GJH12AG-K6NRNB9A	GJH12AG-K6NRNG1A	
	Product code	CC053027900	CC053032700	
1	Cabinet Assy	000006000021	000006000021	1
2	Condenser Assy	011002060936	011002060936	1
3	Axial Flow Fan	103002060004	103002060004	1
4	Rear Cover Plate	22241017	22241017	1
5	Rear Clapboard	20051024	20051024	1
6	Fan Motor	15011061	15011061	1
7	4-Way Valve Assy	030152060402	030152060402	1
8	Magnet Coil	430004017	430004017	1
9	Motor Support	01701032	01701032	1
10	Capillary Sub-assy	030006060673	030006060673	1
11	Front Clapboard Sub-Assy	01301021	01301021	1
12	Air Outlet Sub-Assy	20001730	20001730	1
13	Air Louver	10511041	10511041	1
14	Air Door Lever Sub-assy	10581154	10581154	1
15	Air door support	24211039	24211039	1
16	Crank	73011006	73011006	1
17	Stepping Motor	1521211601	1521211601	1
18	Foam(Propeller Housing)	12311654	12311654	1
19	Centrifugal Fan	10311208	10311208	1
20	Front Clapboard of Propeller Housing	01231157	01231157	1
21	Front cover sub-assy	011657060117	011657060117	1
22	Evaporator Assy	011001061014	011001061014	1
23	Compressor and Fittings	009001060361	009001060361	1
24	Compressor Gasket	009012000022	009012000022	3
25	Drainage Valve	07101001	07101001	1
26	Drainage hole Cap	76711012	76711012	1
27	Chassis Sub-assy	0120111210P	0120111211P	1
28	Drainage Box	2018180101	2018180101	1
29	Cabinet Fastener	26251601	26251601	1
30	Water Tray Sub-Assy	12311640	12311640	1
31	Chassis Clamp	01211601	01211601	1
32	Capacitor	3301074714	3301074714	1
33	Main Board	300002060977	300002060977	1
34	Temperature Sensor	390000451	390000451	1
35	Temperature Sensor	390000596	390000596	1
36	Tube sensor	3900012119	3900012119	1
37	Base Plate	01361019	01361019	1
38	Electric Box Assy	100002067556	100002067556	1
39	Detection board	300018000002	300018000002	1
40	Capacitor	3300008102	3300008102	1
41	Electric Box (Remote Control)	2011113901	2011113901	1
42	Display Board	30562019	30562019	1
43	LCD Board(Remote Control)	2012131801	200032060006	1
44	Membrane	2243113201	60000606021901	1
45	Support WIFI	200114060043	200114060043	1
46	Front Panel Assy	20001751	00000306032101	1
47	Guide Blade	1051160210	200214060004	14
48	Guide Blade Lever	10581604	200235060012	1
49	Front Case	2000160103	200002060051	1
50	Filter Sub-Assy	11121601	111001060179	1
51	Front Panel 2	2000143301S	200064060031S	1
52	Power Cord	40020491	40020491	1
53	Sleeving	4203240201	4203240201	1
54	Remote Controller	305001000097	305001000097	1

Above data is subject to change without notice.

GJH12AG-K6NRR1B



The component picture is only for reference please refer to the actual product.
Panel outlook picture, just for reference, please take the real unit as standard.

NO.	Description	Part Code	Qty
		GJH12AG-K6NRNR1B	
	Product code	CC053016300	
1	Cabinet Assy	000006000021	1
2	Condenser Assy	011002060936	1
3	Axial Flow Fan	103002060004	1
4	Rear Cover Plate	22241017	1
5	Rear Clapboard	20051024	1
6	Fan Motor	15011061	1
7	4-Way Valve Assy	030152060402	1
8	Magnet Coil	430004017	1
9	Motor Support	01701032	1
10	Capillary Sub-assy	030006060673	1
11	Front Clapboard Sub-Assy	01301021	1
12	Air Outlet Sub-Assy	20001730	1
13	Air Louver	10511041	1
14	Air Door Lever Sub-assy	10581154	1
15	Air door support	24211039	1
16	Crank	73011006	1
17	Stepping Motor	1521211601	1
18	Foam(Propeller Housing)	12311654	1
19	Centrifugal Fan	10311208	1
20	Front Clapboard of Propeller Housing	01231157	1
21	Front cover sub-assy	011657060117	1
22	Evaporator Assy	011001061014	1
23	Compressor and Fittings	009001060361	1
24	Compressor Gasket	009012000022	3
25	Drainage Valve	07101001	1
26	Drainage hole Cap	76711012	1
27	Chassis Sub-assy	0120111210P	1
28	Drainage Box	2018180101	1
29	Cabinet Fastener	26251601	1
30	Water Tray Sub-Assy	12311640	1
31	Chassis Clamp	01211601	1
32	Capacitor	3301074714	1
33	Main Board	300002060979	1
34	Temperature Sensor	390000451	1
35	Temperature Sensor	390000596	1
36	Tube sensor	'3900012119	1
37	Base Plate	01361019	1
38	Electric Box Assy	100002068371	1
39	Data line	410200060017	1
40	WIFI module	300030060030	1
41	Capacitor	3300008102	1
42	Electric Box (Remote Control)	2011113901	1
43	Display Board	30562019	1
44	LCD Board(Remote Control)	2012131801	1
45	Membrane	2243113201	1
46	Mounting box	200177060051	1
47	Installing the lid	200174060020	1
48	Front Panel Assy	000003000256	1
49	Guide Blade	1051160210	14
50	Guide Blade Lever	10581604	1
51	Front Case	2000160103	1
52	Filter Sub-Assy	11121601	1
53	Front Panel 2	20006400001601S	1
54	Power Cord	40020491	1
55	Sleeving	4203240201	1
56	Remote Controller	305001060076	1

Above data is subject to change without notice.

NO.	Description	Part Code		Qty
		GJH18AE-K6NRNR1A	GJH21AE-K6NRNR1A	
	Product code	CC053010600	CC053010900	
1	Cabinet Assy	000006000025	000006000024	1
2	Condenser Assy	011002061010	011002061006	1
3	Axial Flow Fan	10331163	10331163	1
4	Rear Cover Plate	20121096	200054000001	1
5	Rear Clapboard	20051019	200030060006	1
6	Magnet Coil	430004017	430004017	1
7	Motor Assy	15011053	1501105310	1
8	Fan Motor	017012000064	017012000064	1
9	4-Way Valve Assy	030152060429	030152060429	1
10	Capillary Sub-assy	03001538	030006060718	1
11	Front Clapboard Sub-Assy	01301021	01301021	1
12	Foam(Propeller Housing)	12311654	12311654	1
13	Centrifugal fan	10311501	10311501	1
14	Front Clapboard of Propeller housing	0123115703	0123115703	1
15	Front cover sub-assy	011657060117	011657060117	1
16	Evaporator Assy	011001000220	011001061014	1
17	Air Outlet Sub-Assy	20001730	20001730	1
18	Air Louver	10511041	10511041	1
19	Air Door Lever Sub-assy	10581154	10581154	1
20	SteppingMotor	1521211601	1521211601	1
21	Crank	73011006	73011006	1
22	Air door support	24211039	24211039	1
23	Compressor and fittings	009001060399	009001060229	1
24	Drainage Valve	07101001	07101001	1
25	Compressor Gasket	009012000004	76713081	3
26	Drainage hole cap	76711012	76711012	1
27	Chassis Sub-assy	0120122423P	0120122421P	1
28	Drainage Box	2018180101	2018180101	1
29	Cabinet Fastener	26251601	26251601	1
30	Water Tray Sub-Assy	000070000003	000070000003	1
31	Chassis clamp	01211601	01211601	1
32	Capacitor CBB61S	3301074708	3301074708	1
33	Main Board	300002060977	300002060977	1
34	Temperature Sensor	390000451	390000451	1
35	Temperature Sensor	390000596	390000596	1
36	Tube sensor	3900012141	3900012141	1
37	Base Plate	01361019	01361019	1
38	Electric Box Assy	100002067932	100002067932	1
39	Detection board	300018000002	300018000002	1
40	Support WIFI	200114060043	200114060043	1
41	Capacitor CBB65	3300008103	3300008103	1
42	Electric Box (Remote Control)	2011113901	2011113901	1
43	Display Board	30562019	30562019	1
44	LCD Board(Remote Control)	2012131801	2012131801	1
45	Membrane	2243113201	2243113201	1
46	Front Panel Assy	000003000256	000003000256	1
47	Guide Blade	1051160210	1051160210	14
48	Guide Blade Lever	10581604	10581604	1
49	Front Case	2000160103	2000160103	1
50	Filter Sub-Assy	11121601	11121601	1
51	Front Panel 2	20006400001601S	20006400001601S	1
52	Power Cord	40020491	400204911	1
53	Sleeving	4203240201	4203240201	1
54	Remote Controller	305001000097	305001000097	1

Above data is subject to change without notice.

NO.	Description	Part Code		Qty
		GJH21AE-K6NRNB3A	GJH18AE-K6NRNB3A	
	Product code	CC053025700	CC053025900	
1	Cabinet Assy	000006000024	000006000024	1
2	Condenser Assy	011002061006	011002061006	1
3	Axial Flow Fan	10331163	10331163	1
4	Rear Cover Plate	200054000001	200054000001	1
5	Rear Clapboard	200030060006	200030060006	1
6	Magnet Coil	430004017	430004017	1
7	Motor Assy	1501105310	15011053	1
8	Fan Motor	017012000064	017012000064	1
9	4-Way Valve Assy	030152060429	030152060429	1
10	Capillary Sub-assy	030006060718	030006060726	1
11	Front Clapboard Sub-Assy	01301021	01301021	1
12	Foam(Propeller Housing)	12311654	12311654	1
13	Centrifugal fan	10311501	10311501	1
14	Front Clapboard of Propeller housing	0123115703	0123115703	1
15	Front cover sub-assy	011657060117	011657060117	1
16	Evaporator Assy	011001061014	011001061188	1
17	Air Outlet Sub-Assy	20001730	20001730	1
18	Air Louver	10511041	10511041	1
19	Air Door Lever Sub-assy	10581154	10581154	1
20	SteppingMotor	1521211601	1521211601	1
21	Crank	73011006	73011006	1
22	Air door support	24211039	24211039	1
23	Compressor and fittings	009001060229	009001060399	1
24	Drainage Valve	07101001	07101001	1
25	Compressor Gasket	76713081	009012000004	3
26	Drainage hole cap	76711012	76711012	1
27	Chassis Sub-assy	0120122421P	0120122423P	1
28	Drainage Box	2018180101	2018180101	1
29	Cabinet Fastener	26251601	26251601	1
30	Water Tray Sub-Assy	00007000003	00007000003	1
31	Chassis clamp	01211601	01211601	1
32	Capacitor CBB61S	3301074708	3301074708	1
33	Main Board	300002060977	300002060977	1
34	Temperature Sensor	390000451	390000451	1
35	Temperature Sensor	390000596	390000596	1
36	Tube sensor	3900012141	3900012141	1
37	Base Plate	01361019	01361019	1
38	Electric Box Assy	100002067932	100002067932	1
39	Detection board	300018000002	300018000002	1
40	Support WIFI	200114060043	200114060043	1
41	Capacitor CBB65	3300008103	3300008103	1
42	Electric Box (Remote Control)	2011113901	2011113901	1
43	Display Board	30562019	30562019	1
44	LCD Board(Remote Control)	2012131801	2012131801	1
45	Membrane	2243113201	2243113201	1
46	Front Panel Assy	000003000256	00000300021601	1
47	Guide Blade	1051160210	1051160210	14
48	Guide Blade Lever	10581604	10581604	1
49	Front Case	2000160103	2000160103	1
50	Filter Sub-Assy	11121601	11121601	1
51	Front Panel 2	20006400001601S	2000160601S	1
52	Power Cord	400204911	400204911	1
53	Sleeving	4203240201	4203240201	1
54	Remote Controller	305001000097	305001000097	1

Above data is subject to change without notice.

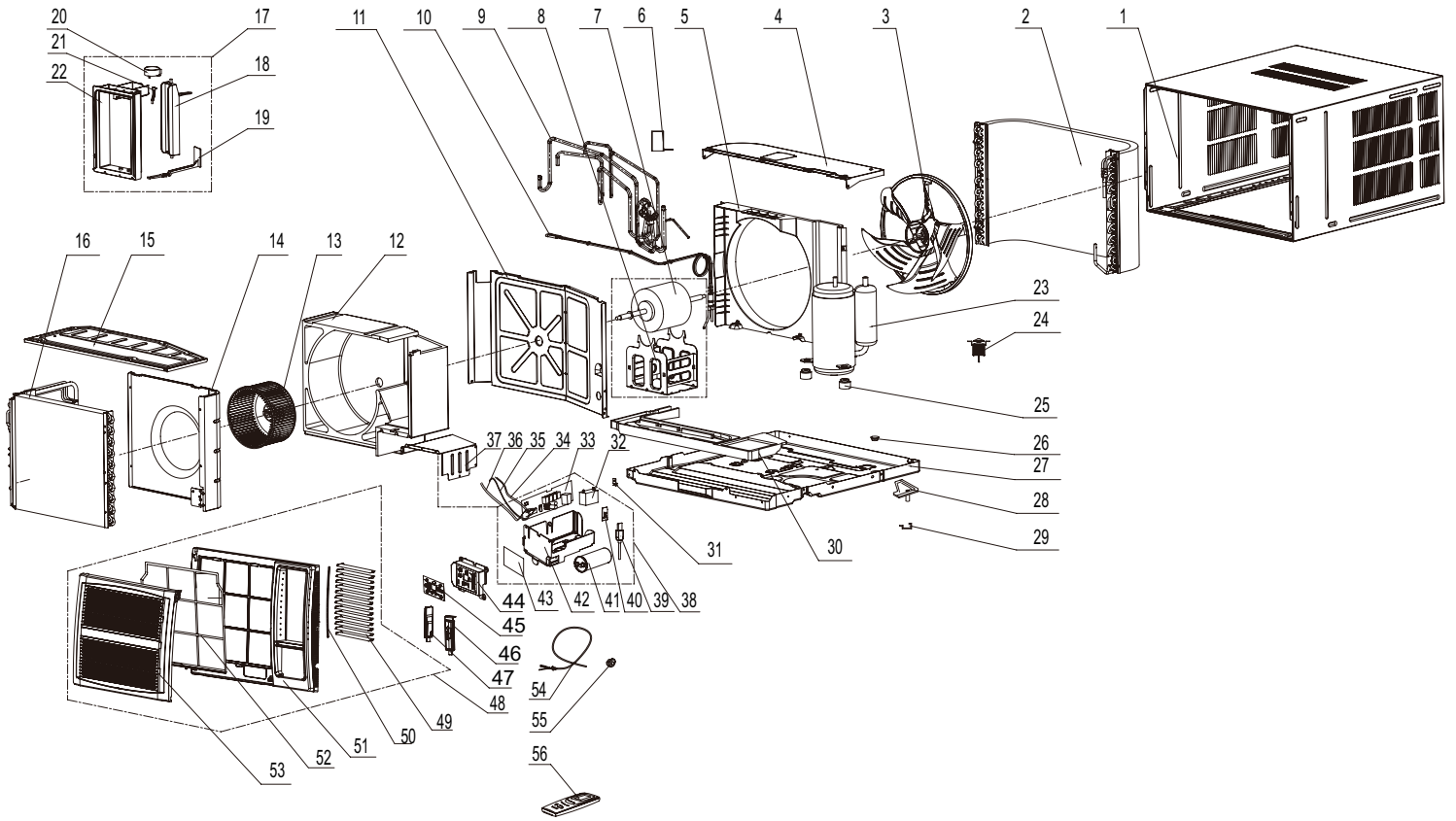
NO.	Description	Part Code		Qty
		GJH18AE-K6NRNB9A	GJH21AE-K6NRNB9A	
		Product code		
1	Cabinet Assy	000006000024	000006000024	1
2	Condenser Assy	011002061006	011002061006	1
3	Axial Flow Fan	10331163	10331163	1
4	Rear Cover Plate	200054000001	200054000001	1
5	Rear Clapboard	200030060006	200030060006	1
6	Magnet Coil	430004017	430004017	1
7	Motor Assy	15011053	1501105310	1
8	Fan Motor	017012000064	017012000064	1
9	4-Way Valve Assy	030152060429	030152060429	1
10	Capillary Sub-assy	030006060726	030006060718	1
11	Front Clapboard Sub-Assy	01301021	01301021	1
12	Foam(Propeller Housing)	12311654	12311654	1
13	Centrifugal fan	10311501	10311501	1
14	Front Clapboard of Propeller housing	0123115703	0123115703	1
15	Front cover sub-assy	011657060117	011657060117	1
16	Evaporator Assy	011001061188	011001061014	1
17	Air Outlet Sub-Assy	20001730	20001730	1
18	Air Louver	10511041	10511041	1
19	Air Door Lever Sub-assy	10581154	10581154	1
20	SteppingMotor	1521211601	1521211601	1
21	Crank	73011006	73011006	1
22	Air door support	24211039	24211039	1
23	Compressor and fittings	009001060399	009001060229	1
24	Drainage Valve	07101001	07101001	1
25	Compressor Gasket	009012000004	76713081	3
26	Drainage hole cap	76711012	76711012	1
27	Chassis Sub-assy	0120122423P	0120122421P	1
28	Drainage Box	2018180101	2018180101	1
29	Cabinet Fastener	26251601	26251601	1
30	Water Tray Sub-Assy	000070000003	000070000003	1
31	Chassis clamp	01211601	01211601	1
32	Capacitor CBB61S	3301074708	3301074708	1
33	Main Board	300002060977	300002060977	1
34	Temperature Sensor	390000451	390000451	1
35	Temperature Sensor	390000596	390000596	1
36	Tube sensor	3900012141	3900012141	1
37	Base Plate	01361019	01361019	1
38	Electric Box Assy	100002067932	100002067932	1
39	Detection board	300018000002	300018000002	1
40	Support WIFI	200114060043	200114060043	1
41	Capacitor CBB65	3300008103	3300008103	1
42	Electric Box (Remote Control)	2011113901	2011113901	1
43	Display Board	30562019	30562019	1
44	LCD Board(Remote Control)	2012131801	2012131801	1
45	Membrane	2243113201	2243113201	1
46	Front Panel Assy	20001751	20001751	1
47	Guide Blade	1051160210	1051160210	14
48	Guide Blade Lever	10581604	10581604	1
49	Front Case	2000160103	2000160103	1
50	Filter Sub-Assy	11121601	11121601	1
51	Front Panel 2	2000143301S	2000143301S	1
52	Power Cord	40020491	400204911	1
53	Sleeving	4203240201	4203240201	1
54	Remote Controller	305001000097	305001000097	1

Above data is subject to change without notice.

NO.	Description	Part Code		Qty
		GJH18AE-K6NRNG1A	GJH21AE-K6NRNG1A	
	Product code	CC053032800	CC053032600	
1	Cabinet Assy	000006000024	000006000024	1
2	Condenser Assy	011002061006	011002061006	1
3	Axial Flow Fan	10331163	10331163	1
4	Rear Cover Plate	200054000001	200054000001	1
5	Rear Clapboard	200030060006	200030060006	1
6	Magnet Coil	430004017	430004017	1
7	Motor Assy	15011053	1501105310	1
8	Fan Motor	017012000064	017012000064	1
9	4-Way Valve Assy	030152060429	030152060429	1
10	Capillary Sub-assy	030006060726	030006060718	1
11	Front Clapboard Sub-Assy	01301021	01301021	1
12	Foam(Propeller Housing)	12311654	12311654	1
13	Centrifugal fan	10311501	10311501	1
14	Front Clapboard of Propeller housing	0123115703	0123115703	1
15	Front cover sub-assy	011657060117	011657060117	1
16	Evaporator Assy	011001061188	011001061014	1
17	Air Outlet Sub-Assy	20001730	20001730	1
18	Air Louver	10511041	10511041	1
19	Air Door Lever Sub-assy	10581154	10581154	1
20	SteppingMotor	1521211601	1521211601	1
21	Crank	73011006	73011006	1
22	Air door support	24211039	24211039	1
23	Compressor and fittings	009001060399	009001060229	1
24	Drainage Valve	07101001	07101001	1
25	Compressor Gasket	009012000004	76713081	3
26	Drainage hole cap	76711012	76711012	1
27	Chassis Sub-assy	0120122426P	0120122427P	1
28	Drainage Box	2018180102	2018180102	1
29	Cabinet Fastener	26251601	26251601	1
30	Water Tray Sub-Assy	00007000003	00007000003	1
31	Chassis clamp	01211601	01211601	1
32	Capacitor CBB61S	3301074708	3301074708	1
33	Main Board	300002060977	300002060977	1
34	Temperature Sensor	390000451	390000451	1
35	Temperature Sensor	390000596	390000596	1
36	Tube sensor	3900012141	3900012141	1
37	Base Plate	01361019	01361019	1
38	Electric Box Assy	100002067932	100002067932	1
39	Detection board	300018000002	300018000002	1
40	Support WIFI	200114060043	200114060043	1
41	Capacitor CBB65	3300008103	3300008103	1
42	Electric Box (Remote Control)	2011113901	2011113901	1
43	Display Board	30562019	30562019	1
44	LCD Board(Remote Control)	200032060006	200032060006	1
45	Membrane	60000606021901	60000606021901	1
46	Front Panel Assy	000003000256	00000306032101	1
47	Guide Blade	200214060004	200214060004	14
48	Guide Blade Lever	200235060012	200235060012	1
49	Front Case	200002060051	200002060051	1
50	Filter Sub-Assy	111001060179	111001060179	1
51	Front Panel 2	200064060031S	200064060031S	1
52	Power Cord	40020491	400204911	1
53	Sleeving	4203240201	4203240201	1
54	Remote Controller	305001000097	305001000097	1

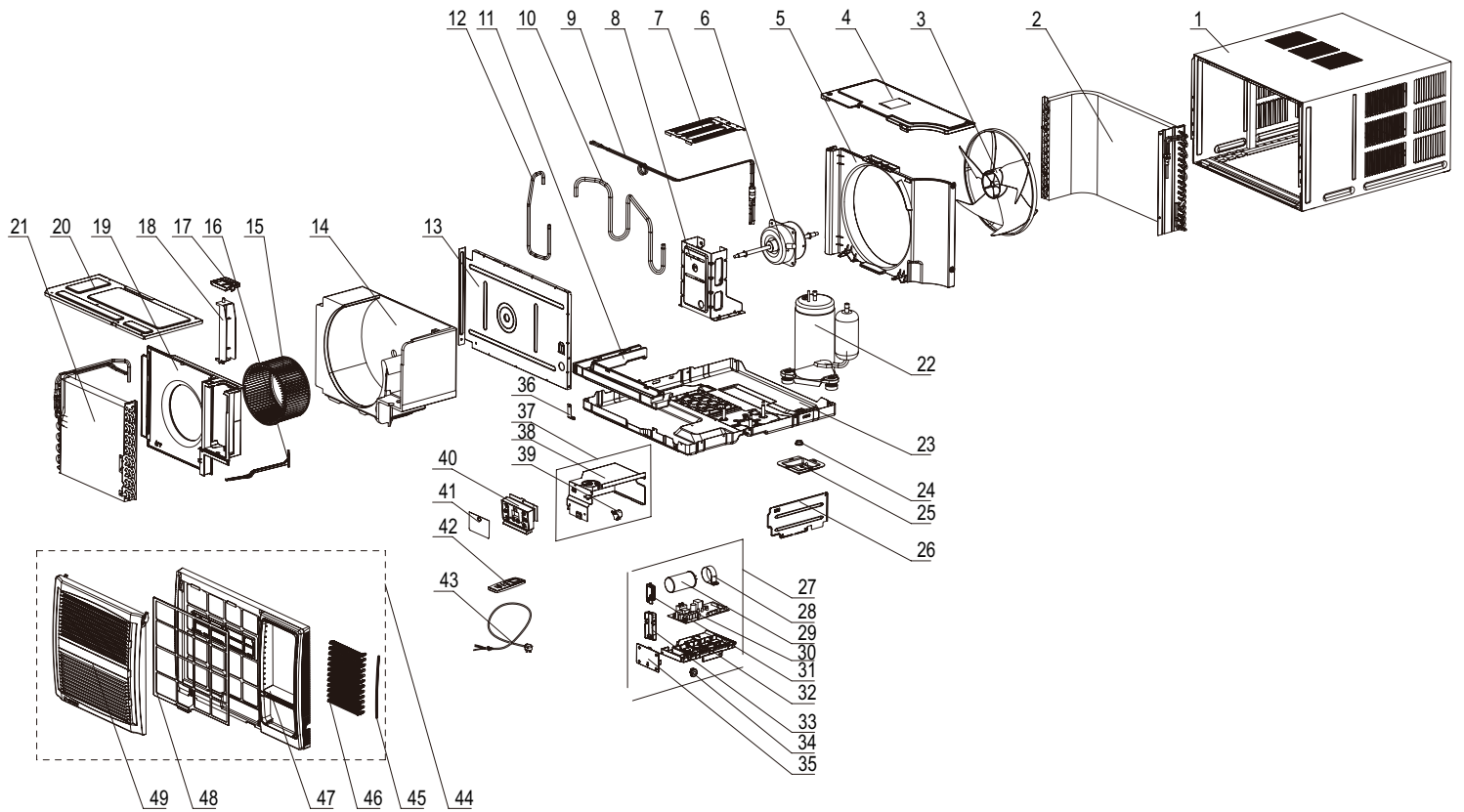
Above data is subject to change without notice.

GJH18AE-K6NRNR1B GJH21AE-K6NRNR1B



The component picture is only for reference please refer to the actual product.
 Panel outlook picture, just for reference, please take the real unit as standard.

GJC07AK-K6NRNR1A GJC09AK-K6NRNR1A GJC07AK-K6NRNB3C GJC09AK-K6NRNB3C
 GJC07AK-K6NRNG2A GJC09AK-K6NRNG2A



The component picture is only for reference please refer to the actual product.
 Panel outlook picture, just for reference, please take the real unit as standard.

NO.	Description	Part Code		Qty
		GJC07AK-K6NRNR1A	GJC09AK-K6NRNR1A	
		Product code	CC053011000	
1	Cabinet Assy	0143111603	0143111603	1
2	Condenser Assy	011002061160	011002061160	1
3	Axial Flow Fan	10331365	10331365	1
4	Rear Cover Plate	200050060023	200050060023	1
5	Rear Clapboard	200030060007	200030060007	1
6	Motor Assy	150101060294	150101060294	1
7	Connection plate	012077060684	012077060684	1
8	Motor bracket	01204800022	01204800022	1
9	Capillary Sub-assy	030006060822	030006060824	1
10	Suction tube	035006061937	035006061938	1
11	water tray	120001060017	120001060017	1
12	exhaust pipe	030013061223	035008061968	1
13	Front Clapboard Sub-Assy	017002060003	017002060003	1
14	Foam(Propeller Housing)	120008060026	120008060026	1
15	Centrifugal fan	10311208	10311208	1
16	Air Door Lever Sub-assy	000253060001	000253060001	1
17	Top cover (small)	200050060024	200050060024	1
18	Air Louver	10511127	10511127	1
19	Partition (volute)	180431000003	180431000003	1
20	Front cover	012148060212	012148060212	1
21	Evaporator Assy	011001061233	011001061233	1
22	Compressor and fittings	009001060513	009001060503	1
23	Chassis Sub-assy	01700006051902P	017000060519P	1
24	Chassis rubber plug	76711012	76711012	1
25	Drainage Box	2018112501	2018112501	1
26	Electrical box side plate	012042060021	012042060021	1
27	Electric Box Assy 2	100002068959	100002068963	1
28	Capacitor clip	02141381	02141381	1
29	Capacitor	3302035230	3302035227	1
30	Main Board	300002060975	300002060975	1
31	Detection board	300018000002	300018000002	1
32	Mounting box	200177060050	200177060050	1
33	Support WIFI	200114060043	200114060043	1
34	Sleeving	4203240201	4203240201	1
35	Bezel	26111038	26111038	1
36	Chassis clamp	01211307	01211307	1
37	Electric Box Assy	100002068960	100002068960	1
38	Electrical box	012017060624	012017060624	1
39	SteppingMotor	1521100803	1521100803	1
40	LCD Board(Remote Control)	2012003601	2012003601	1
41	Membrane	22431132	22431132	1
42	Remote Controller	305001000097	305001000097	1
43	Power Cord	4002049121	4002049121	1
44	Front Panel Assy	000003000247	000003000247	1
45	Guide Blade Lever	10581305	10581305	1
46	Guide Blade	1051103301	1051103301	1
47	Front Case	2000141901	2000141901	1
48	Filter Sub-Assy	11121304	11121304	1
49	Front Panel 2	20006400001801S	20006400001801S	1

Above data is subject to change without notice.

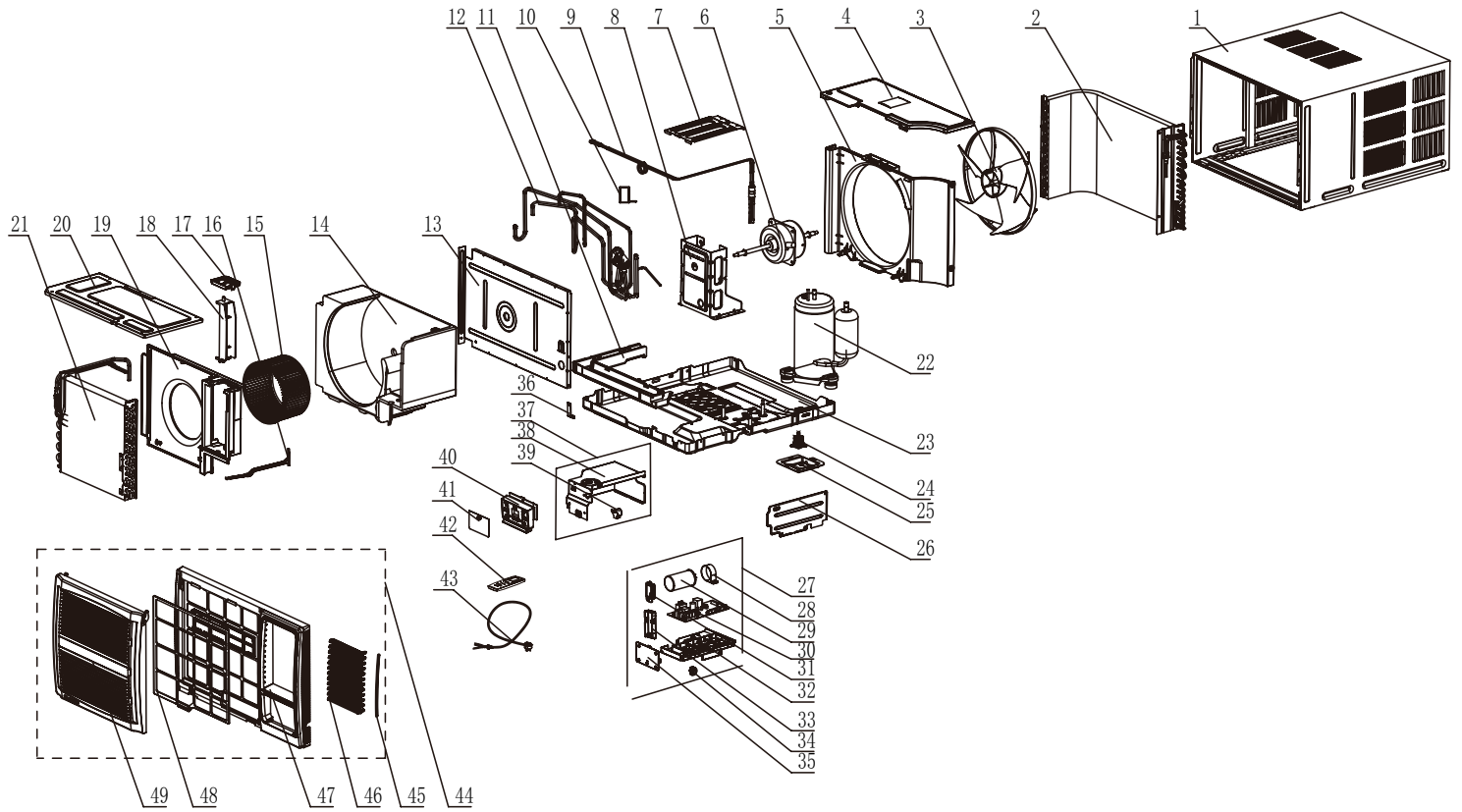
NO.	Description	Part Code		Qty
		GJC07AK-K6NRNB3C	GJC09AK-K6NRNB3C	
	Product code	CC053029600	CC053029700	
1	Cabinet Assy	0143111603	0143111603	1
2	Condenser Assy	011002061160	011002061160	1
3	Axial Flow Fan	10331365	10331365	1
4	Rear Cover Plate	200050060023	200050060023	1
5	Rear Clapboard	200030060007	200030060007	1
6	Motor Assy	150101060294	150101060294	1
7	Connection plate	012077060684	012077060684	1
8	Motor bracket	01204800022	01204800022	1
9	Capillary Sub-assy	030006060822	030006060824	1
10	Suction tube	035006061937	035006061938	1
11	water tray	120001060017	120001060017	1
12	exhaust pipe	030013061223	035008061968	1
13	Front Clapboard Sub-Assy	017002060003	017002060003	1
14	Foam(Propeller Housing)	120008060026	120008060026	1
15	Centrifugal fan	10311208	10311208	1
16	Air Door Lever Sub-assy	000253060001	000253060001	1
17	Top cover (small)	200050060024	200050060024	1
18	Air Louver	10511127	10511127	1
19	Partition (volute)	180431000003	180431000003	1
20	Front cover	012148060212	012148060212	1
21	Evaporator Assy	011001061233	011001061233	1
22	Compressor and fittings	009001060513	009001060503	1
23	Chassis Sub-assy	01700006051902P	017000060519P	1
24	Chassis rubber plug	76711012	76711012	1
25	Drainage Box	2018112501	2018112501	1
26	Electrical box side plate	012042060021	012042060021	1
27	Electric Box Assy 2	100002068959	100002068963	1
28	Capacitor clip	02141381	02141381	1
29	Capacitor	3302035230	3302035227	1
30	Main Board	300002060975	300002060975	1
31	Detection board	300018000002	300018000002	1
32	Mounting box	200177060050	200177060050	1
33	Support WIFI	200114060043	200114060043	1
34	Sleeving	4203240201	4203240201	1
35	Bezel	26111038	26111038	1
36	Chassis clamp	01211307	01211307	1
37	Electric Box Assy	100002068960	100002068960	1
38	Electrical box	012017060624	012017060624	1
39	SteppingMotor	1521100803	1521100803	1
40	LCD Board(Remote Control)	2012003601	2012003601	1
41	Membrane	22431132	22431132	1
42	Remote Controller	305001000097	305001000097	1
43	Power Cord	4002049121	4002049121	1
44	Front Panel Assy	000003000207	000003000207	1
45	Guide Blade Lever	10581305	10581305	1
46	Guide Blade	1051103301	1051103301	1
47	Front Case	2000141901	2000141901	1
48	Filter Sub-Assy	11121304	11121304	1
49	Front Panel 2	2000141801S	2000141801S	1

Above data is subject to change without notice.

NO.	Description	Part Code		Qty
		GJC07AK-K6NRNG2A	GJC09AK-K6NRNG2A	
		Product code	CC053033100	
1	Cabinet Assy	0143111603	0143111603	1
2	Condenser Assy	011002061160	011002061160	1
3	Axial Flow Fan	10331365	10331365	1
4	Rear Cover Plate	200050060023	200050060023	1
5	Rear Clapboard	200030060007	200030060007	1
6	Motor Assy	150101060294	150101060294	1
7	Connection plate	012077060684	012077060684	1
8	Motor bracket	01204800022	01204800022	1
9	Capillary Sub-assy	030006060822	030006060824	1
10	Suction tube	035006061937	035006061938	1
11	water tray	120001060017	120001060017	1
12	exhaust pipe	030013061223	035008061968	1
13	Front Clapboard Sub-Assy	017002060003	017002060003	1
14	Foam(Propeller Housing)	120008060026	120008060026	1
15	Centrifugal fan	10311208	10311208	1
16	Air Door Lever Sub-assy	10581303	10581303	1
17	Top cover (small)	200050060024	200050060024	1
18	Air Louver	10511127	10511127	1
19	Partition (volute)	180431000003	180431000003	1
20	Front cover	012148060212	012148060212	1
21	Evaporator Assy	011001061233	011001061233	1
22	Compressor and fittings	009001060513	009001060503	1
23	Chassis Sub-assy	01700006051902P	017000060519P	1
24	Chassis rubber plug	76711012	76711012	1
25	Drainage Box	2018112502	2018112502	1
26	Electrical box side plate	012042060021	012042060021	1
27	Electric Box Assy 2	100002068959	100002068963	1
28	Capacitor clip	02141381	02141381	1
29	Capacitor	3302035230	3302035227	1
30	Main Board	300002060975	300002060975	1
31	Detection board	300018000002	300018000002	1
32	Mounting box	200177060050	200177060050	1
33	Support WIFI	200114060043	200114060043	1
34	Sleeving	4203240201	4203240201	1
35	Bezel	26111038	26111038	1
36	Chassis clamp	01211307	01211307	1
37	Electric Box Assy	100002068960	100002068960	1
38	Electrical box	012017060624	012017060624	1
39	SteppingMotor	1521100803	1521100803	1
40	LCD Board(Remote Control)	200032060007	200032060007	1
41	Membrane	600006060185	600006060185	1
42	Remote Controller	305001000097	305001000097	1
43	Power Cord	4002049121	4002049121	1
44	Front Panel Assy	000003060328	000003060328	1
45	Guide Blade Lever	10581305	200235060014	1
46	Guide Blade	1051103301	200214060006	1
47	Front Case	200002060053	200002060053	1
48	Filter Sub-Assy	111001060181	111001060181	1
49	Front Panel 2	200064060032S	200064060032S	1

Above data is subject to change without notice.

GJH07AK-K6NRNR1A GJH09AK-K6NRNR1A GJH07AK-K6NRNB3C GJH09AK-K6NRNB3C



The component picture is only for reference please refer to the actual product.
 Panel outlook picture, just for reference, please take the real unit as standard.

NO.	Description	Part Code		Qty
		GJH07AK-K6NRNR1A	GJH09AK-K6NRNR1A	
	Product code	CC053011200	CC053010800	
1	Cabinet Assy	0143111603	0143111603	1
2	Condenser Assy	011002061204	011002061204	1
3	Axial Flow Fan	10331365	10331365	1
4	Rear Cover Plate	200050060023	200050060023	1
5	Rear Clapboard	200030060007	200030060007	1
6	Motor Assy	150101060294	150101060294	1
7	Connection plate	012077060684	012077060684	1
8	Motor bracket	01204800022	01204800022	1
9	Capillary Sub-assy	030006060820	030006060821	1
10	Magnet Coil	430004017	430004017	1
11	water tray	120001060017	120001060017	1
12	4-Way Valve Assy	030152060508	030152060507	1
13	Front Clapboard Sub-Assy	017002060003	017002060003	1
14	Foam(Propeller Housing)	120008060026	120008060026	1
15	Centrifugal fan	10311208	10311208	1
16	Air Door Lever Sub-assy	000253060001	000253060001	1
17	Top cover (small)	200050060024	200050060024	1
18	Air Louver	10511127	1051103301	1
19	Partition (volute)	180431000003	180431000003	1
20	Front cover	012148060212	012148060212	1
21	Evaporator Assy	011001061230	011001061231	1
22	Compressor and fittings	009001060513	009001060503	1
23	Chassis Sub-assy	01700006051903P	01700006051901P	1
24	Drainage Valve	07101001	07101001	1
25	Drainage Box	2018112501	2018112501	1
26	Electrical box side plate	012042060021	012042060021	1
27	Electric Box Assy 2	100002068962	100002068961	1
28	Capacitor clip	02141381	02141381	1
29	Capacitor	3302035230	3302035227	1
30	Main Board	300002060976	300002060976	1
31	Detection board	300018000002	300018000002	1
32	Mounting box	200177060050	200177060050	1
33	Support WIFI	200114060043	200114060043	1
34	Sleeving	4203240201	4203240201	1
35	Bezel	26111038	26111038	1
36	Chassis clamp	01211307	01211307	1
37	Electric Box Assy	100002068960	100002068960	1
38	Electrical box	012017060624	012017060624	1
39	SteppingMotor	1521100803	1521100803	1
40	LCD Board(Remote Control)	2012003601	2012003601	1
41	Membrane	2243113201	2243113201	1
42	Remote Controller	305001000097	305001000097	1
43	Power Cord	4002049121	4002049121	1
44	Front Panel Assy	000003000247	000003000247	1
45	Guide Blade Lever	10581305	10581305	1
46	Guide Blade	1051103301	1051103301	1
47	Front Case	2000141901	2000141901	1
48	Filter Sub-Assy	11121304	11121304	1
49	Front Panel 2	20006400001801S	20006400001801S	1

Above data is subject to change without notice.